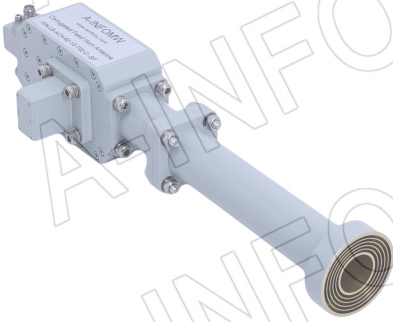


For reference only. See data sheet for the detailed specifications.

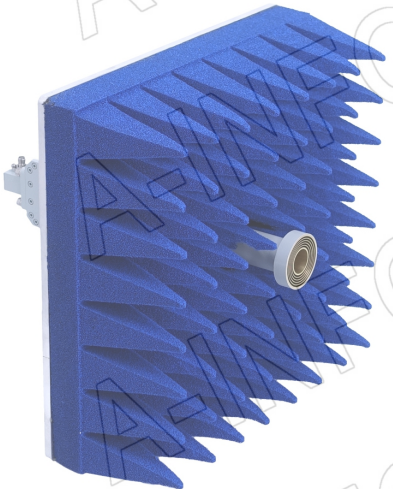
Technical Specification

LB-ACH-62-10-T02-C-SF



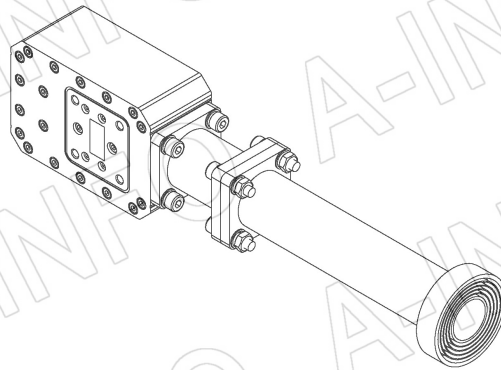
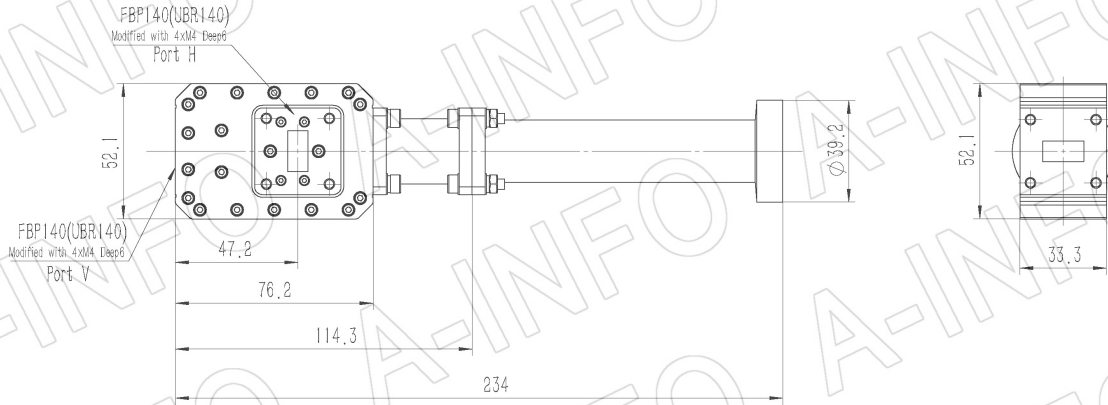
Frequency Range(GHz)	12.4 – 18.0
Waveguide	WR62
Gain(dBi)	10 Typ.
Polarization	Dual Linear
3dB Beamwidth(deg)	E Plane: 57 Typ.
	H Plane: 59 Typ.
10dB Beamwidth(deg)	E Plane: 106 Typ.
	H Plane: 109 Typ.
Cross Pol. Isolation(dB)	40 Typ.
Port to Port Isolation(dB)	60 Typ. ; 50 Min.
VSWR	A Type: 1.50:1 Typ.
	C Type: 1.60:1 Typ.
Output	A Type: FBP140(UBR140) (Modified with 4xM4 Deep 6)
	C Type: SMA-Female or N-Female or TNC-Female or 7mm or 3.5mm-Female
Material	Al
Finish	Silver Plated and Chemical Conversion Coating, Gray Paint
Size(mm)	A Type: 39.2 x 52.1 x 234
	C Type: 63.2 x 52.1 x 261
	A-A1: 266.4 x 266.4 x 234
	C-SF-A1: 266.4 x 266.4 x 261
Net Weight(Kg)	A Type: 0.46 Around
	C Type: 0.54 Around
	A-A1: 1.70 Around
	C-SF-A1: 1.78 Around

LB-ACH-62-10-T02-C-SF-A1



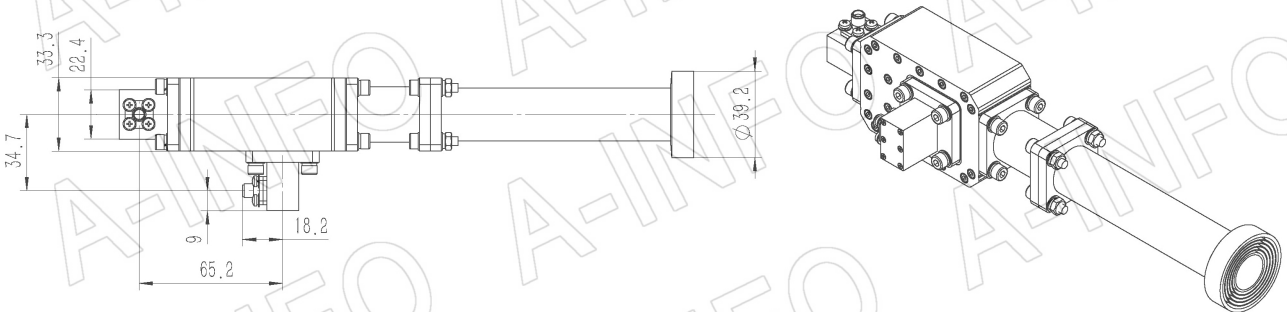
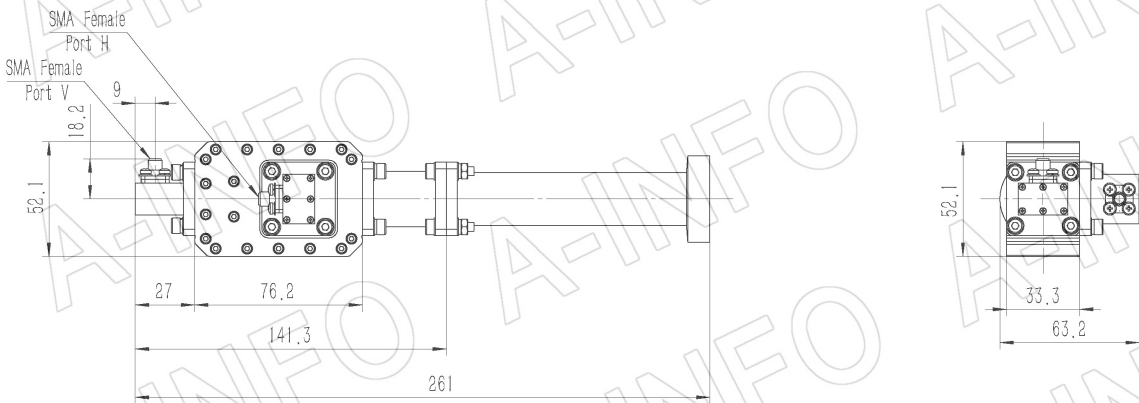
Outline Drawing (Size: mm)

FBP140 Output (P/N: LB-ACH-62-10-T02-A)



SMA-Female Output (P/N: LB-ACH-62-10-T02-C-SF)

For N-Female, TNC- Female, 7mm or 3.5mm-Female output outline drawing, please contact A-INFO.



AINFO Inc.

China(Beijing): Tel: (+86) 10-6266-7326,
China(Chengdu): Tel: (+86) 28-8519-2786,
USA : Tel: (+1) 949-639-9688,

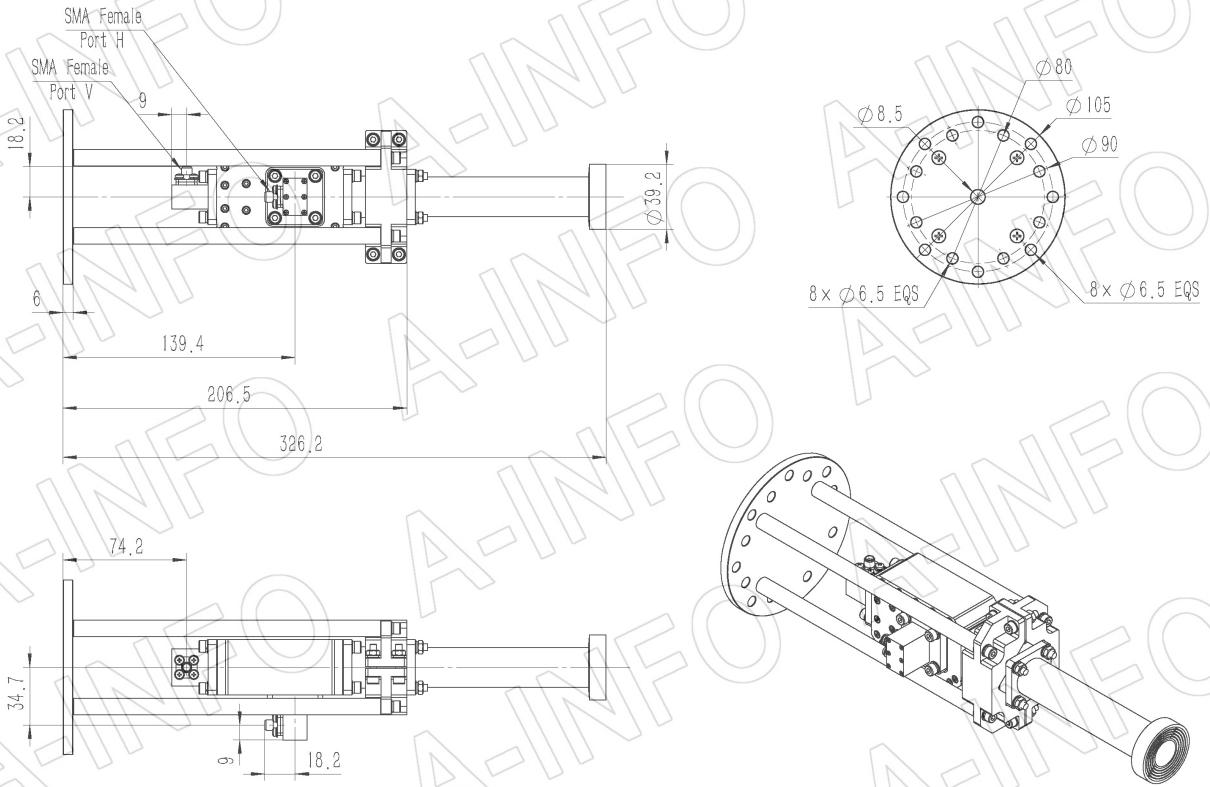
Page 2 of 13

(+86) 10-6266-7327 Fax: (+86) 10-6266-7379
(+86) 28-8519-3044 Fax: (+86) 28-8519-3068
(+1) 949-639-9608 Fax: (+1) 949-639-9670

Website: www.ainfoinc.com
Email: sales@ainfoinc.com

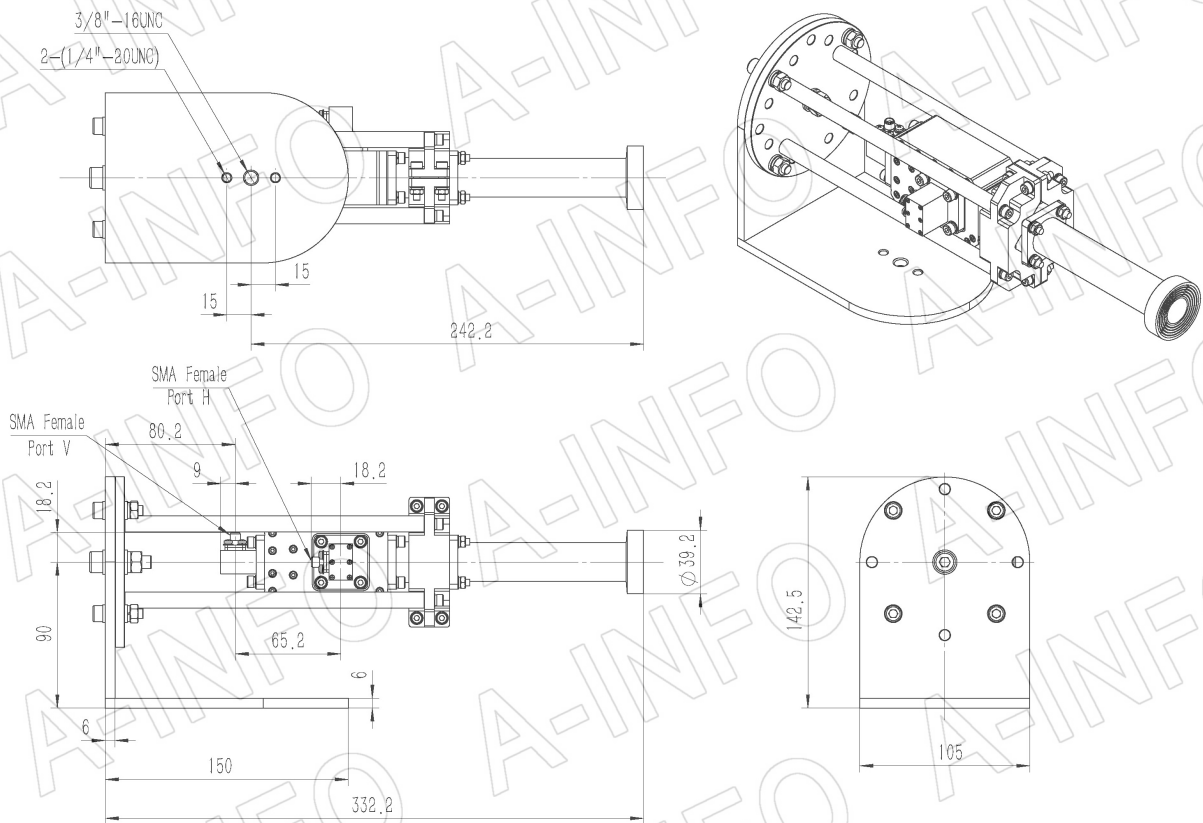
SMA-Female Output with Round Mounting Bracket (Option, P/N: LB-CNH-62-10-MB)

For N-Female, TNC- Female, 7mm or 3.5mm-Female output outline drawing, please contact A-INFO.

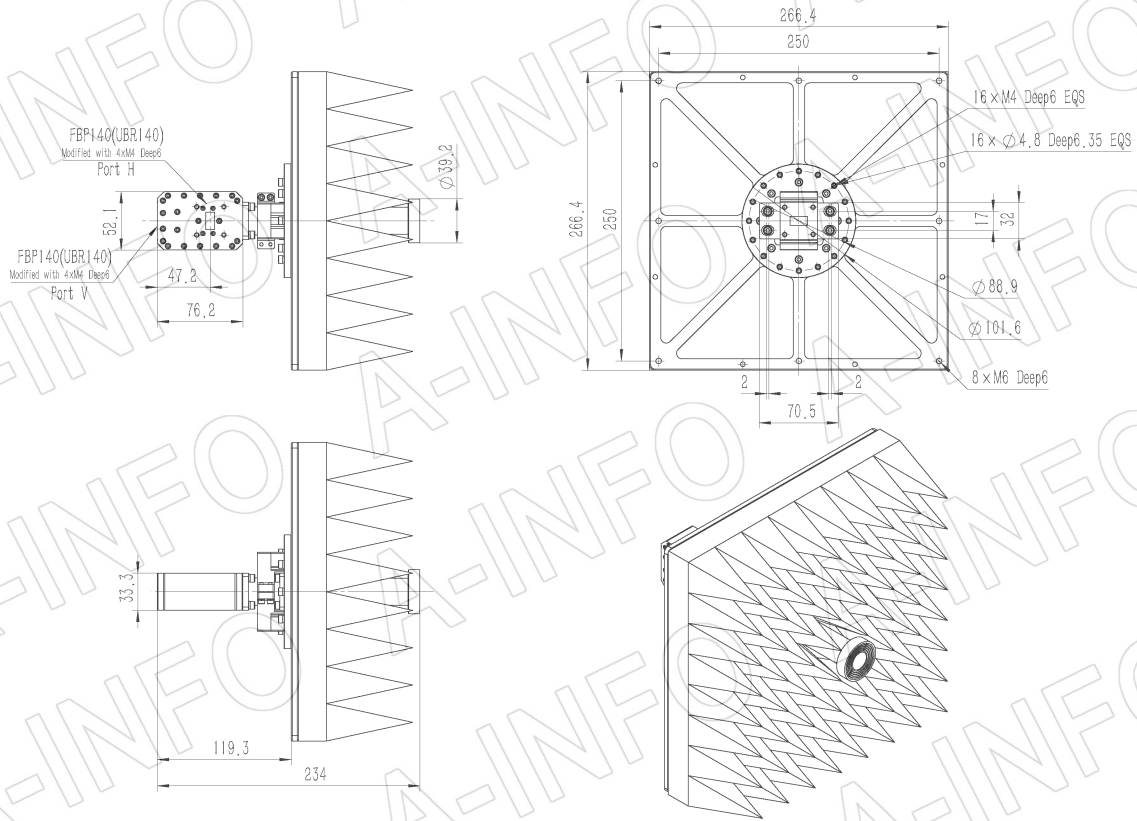


SMA-Female Output with L Type Mounting Bracket (Option, P/N: LB-CNH-62-10-MBL)

For N-Female, TNC- Female, 7mm or 3.5mm-Female output outline drawing, please contact A-INFO.

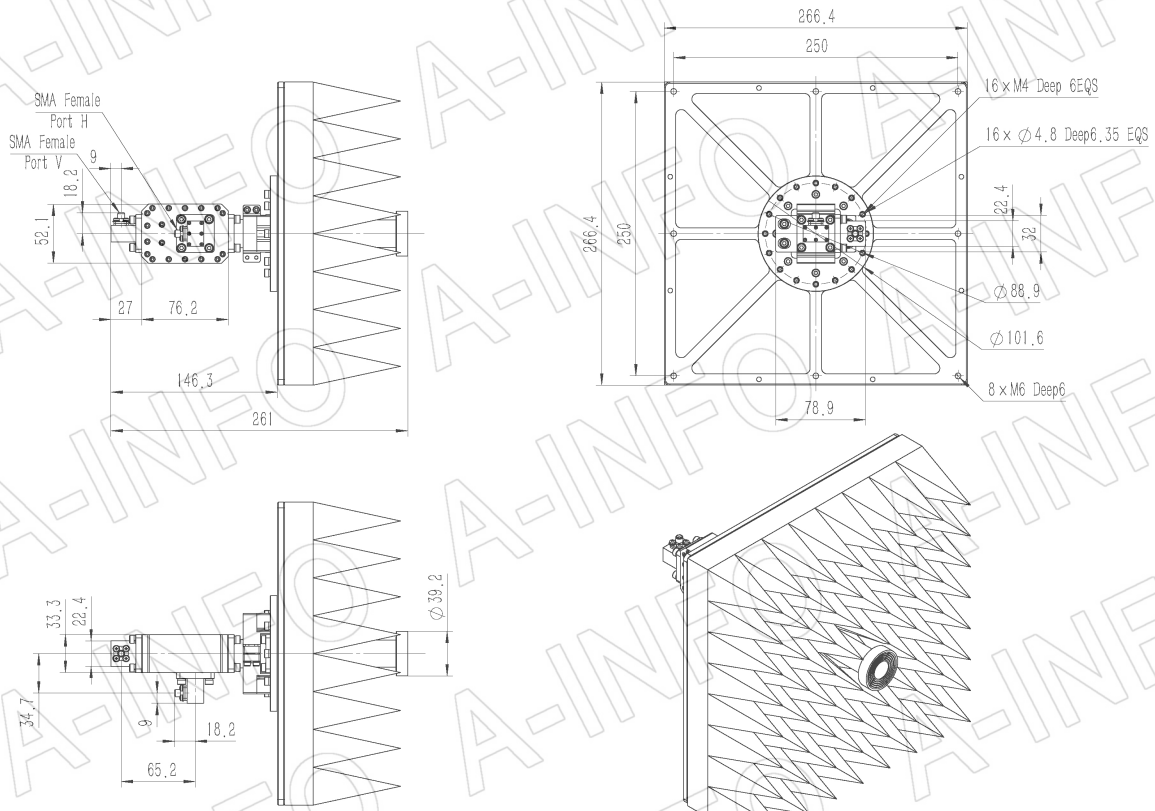


FBP140 Output, Equipped with Absorber (Option, P/N: LB-ACH-62-10-T02-A-A1)



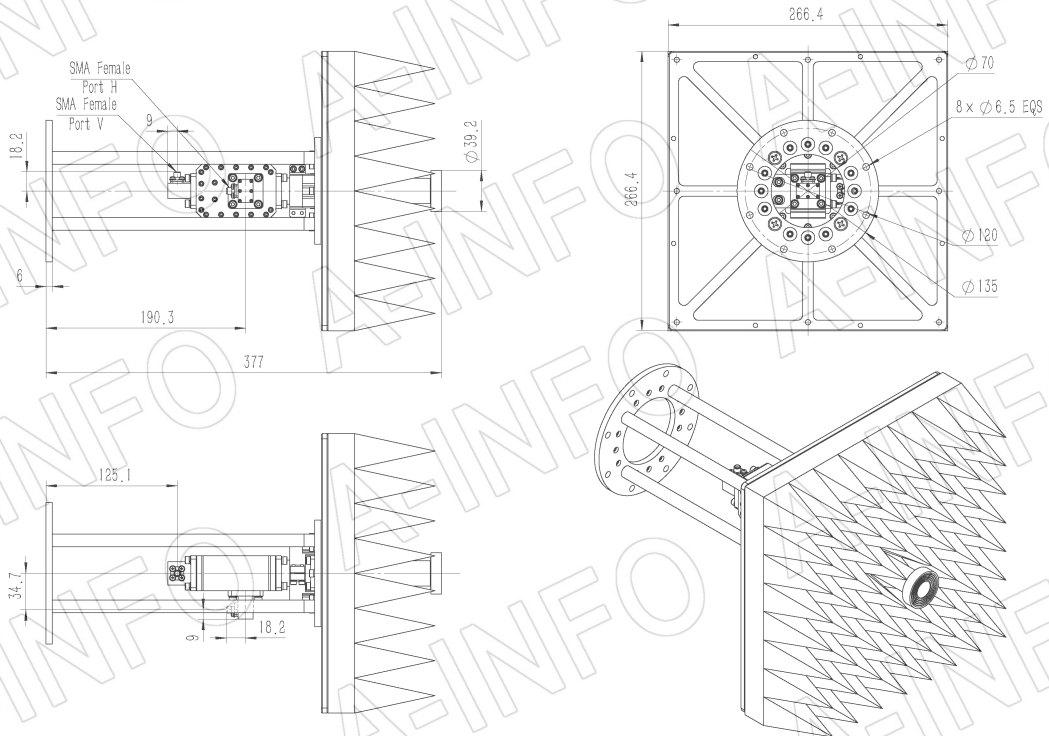
SMA-Female Output, Equipped with Absorber (Option, P/N: LB-ACH-62-10-T02-C-SF-A1)

For N-Female, TNC- Female, 7mm or 3.5mm-Female output outline drawing, please contact A-INFO.



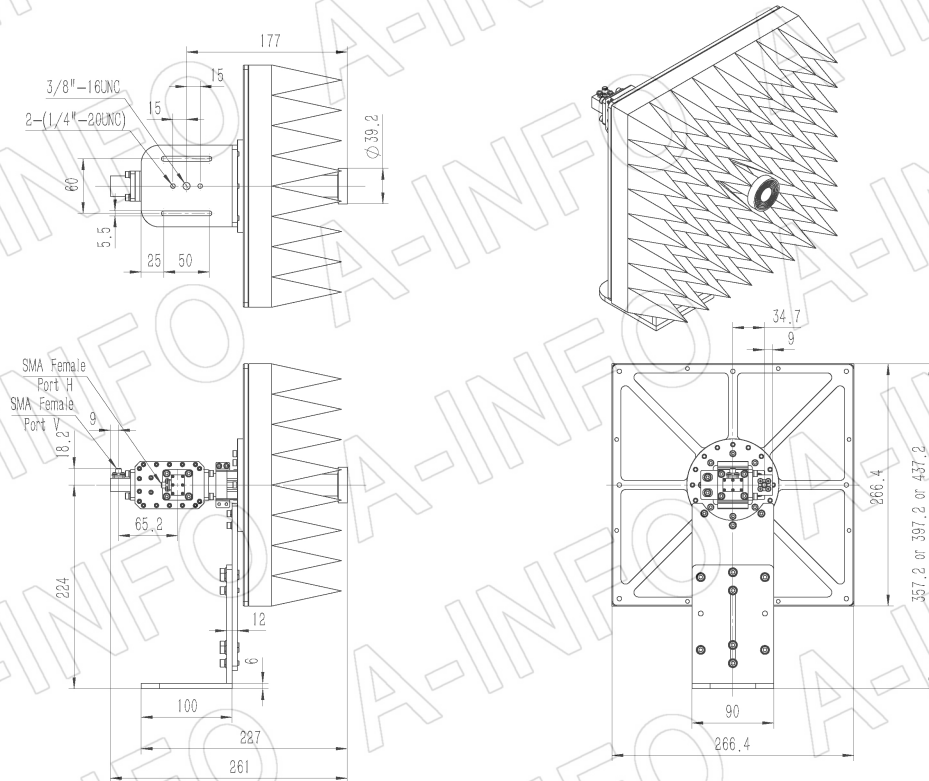
SMA-Female Output with Round Mounting Bracket & Equipped with Absorber (Option, P/N: EWG-MB40 & LB-ACH-62-10-T02-C-SF-A1)

For N-Female, TNC- Female, 7mm or 3.5mm-Female output outline drawing, please contact A-INFO.

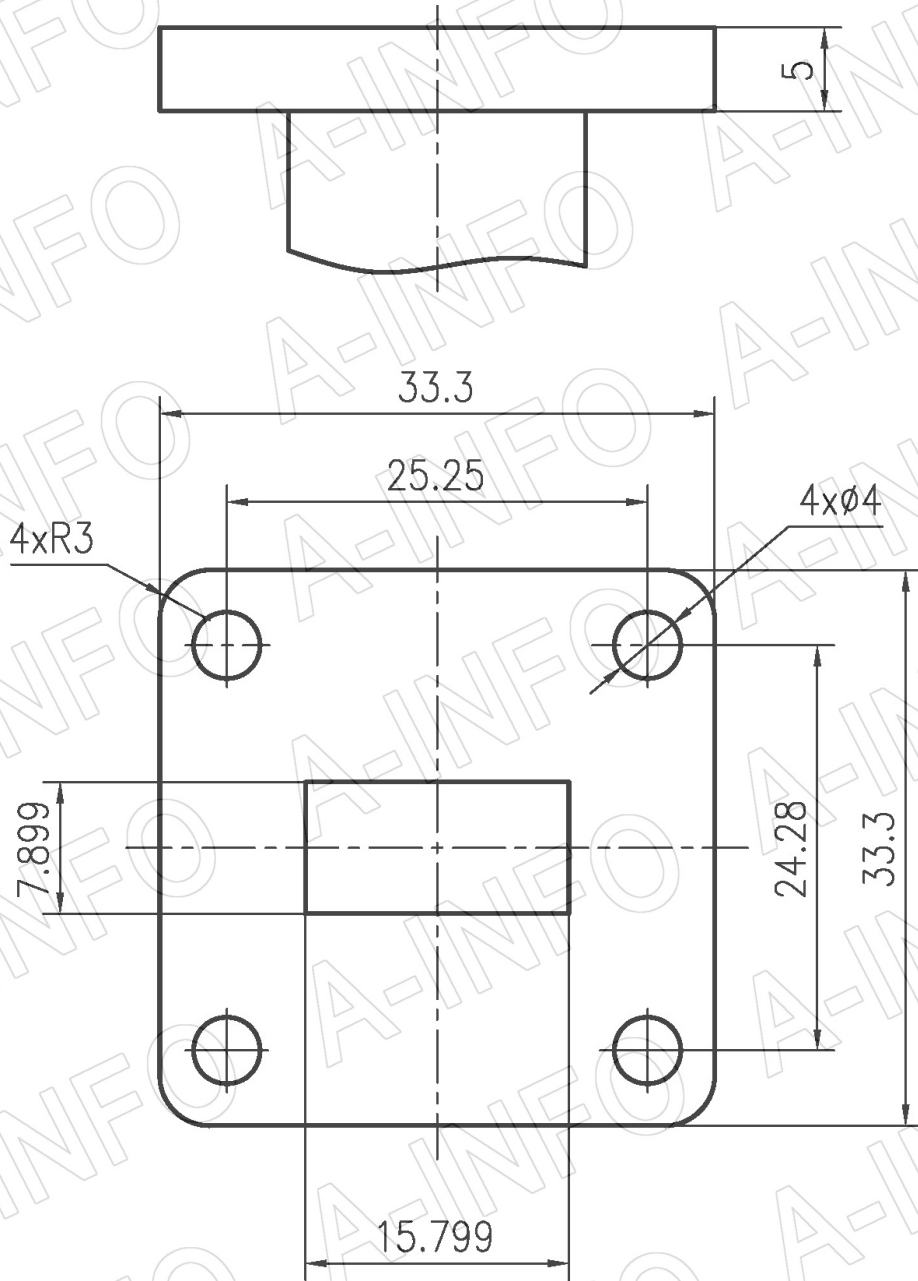


SMA-Female Output with L Type Mounting Bracket & Equipped with Absorber (Option, P/N: EWG-L40 & LB-ACH-62-10-T02-C-SF-A1)

For N-Female, TNC- Female, 7mm or 3.5mm-Female output outline drawing, please contact A-INFO.



Flange Drawing (Size: mm)



FBP140

AINFO Inc.

China(Beijing): Tel: (+86) 10-6266-7326,
China(Chengdu): Tel: (+86) 28-8519-2786,
USA: Tel: (+1) 949-639-9688,

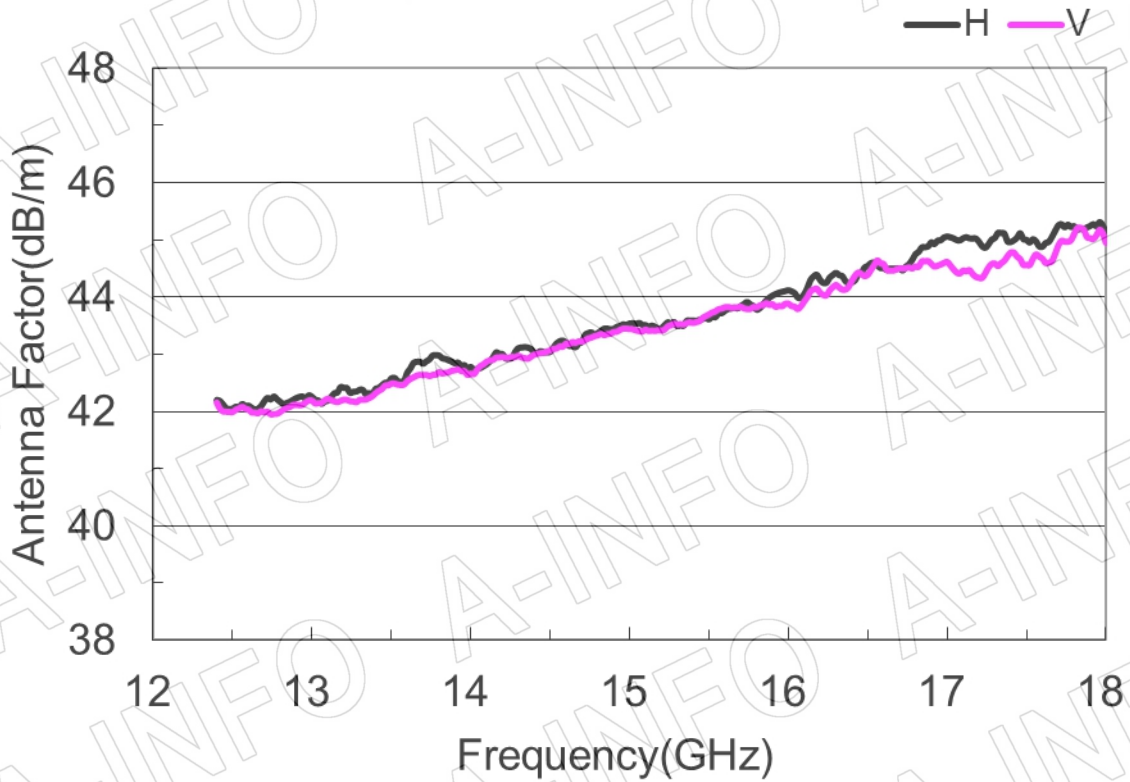
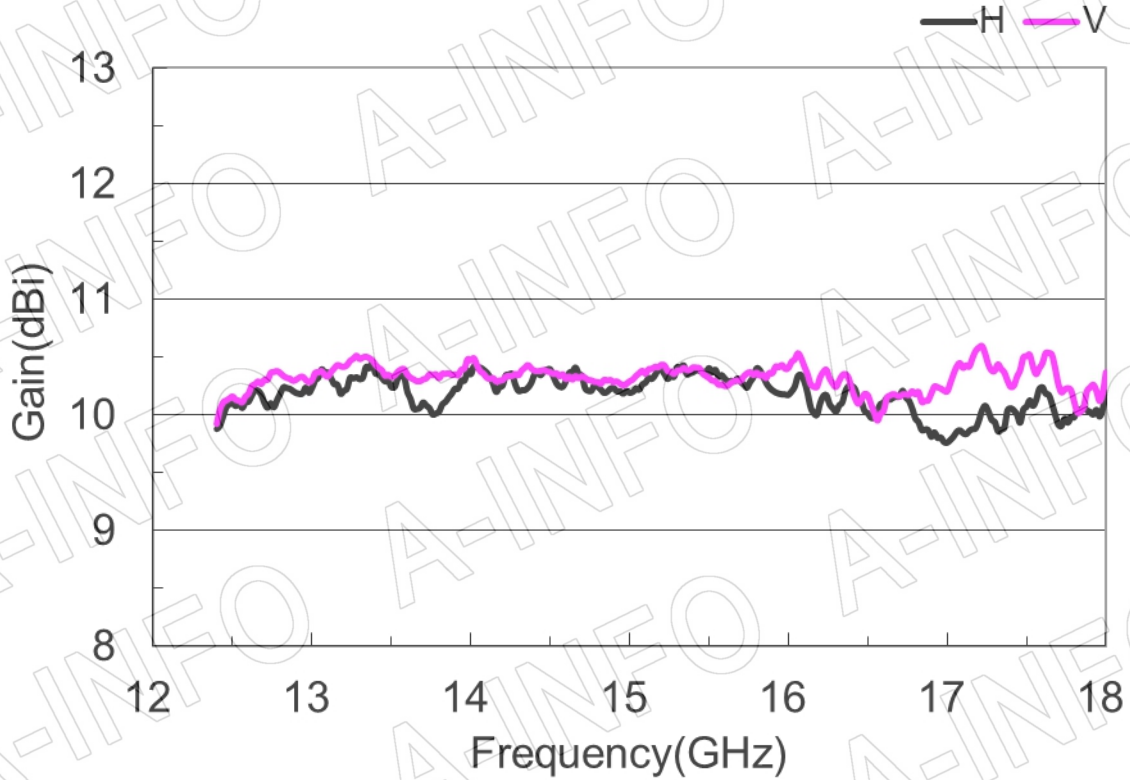
Page 6 of 13

(+86) 10-6266-7327 Fax: (+86) 10-6266-7379
(+86) 28-8519-3044 Fax: (+86) 28-8519-3068
(+1) 949-639-9608 Fax: (+1) 949-639-9670

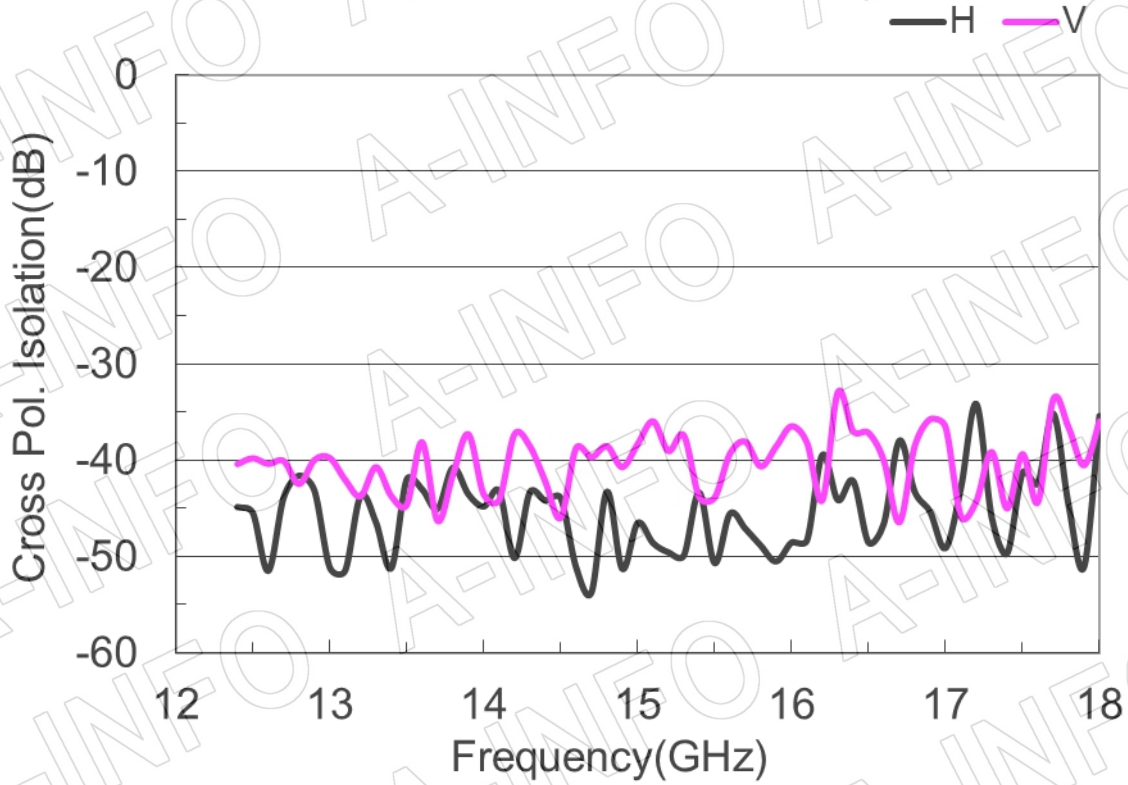
Website: www.ainfoinc.com
Email: sales@ainfoinc.com

Test Results

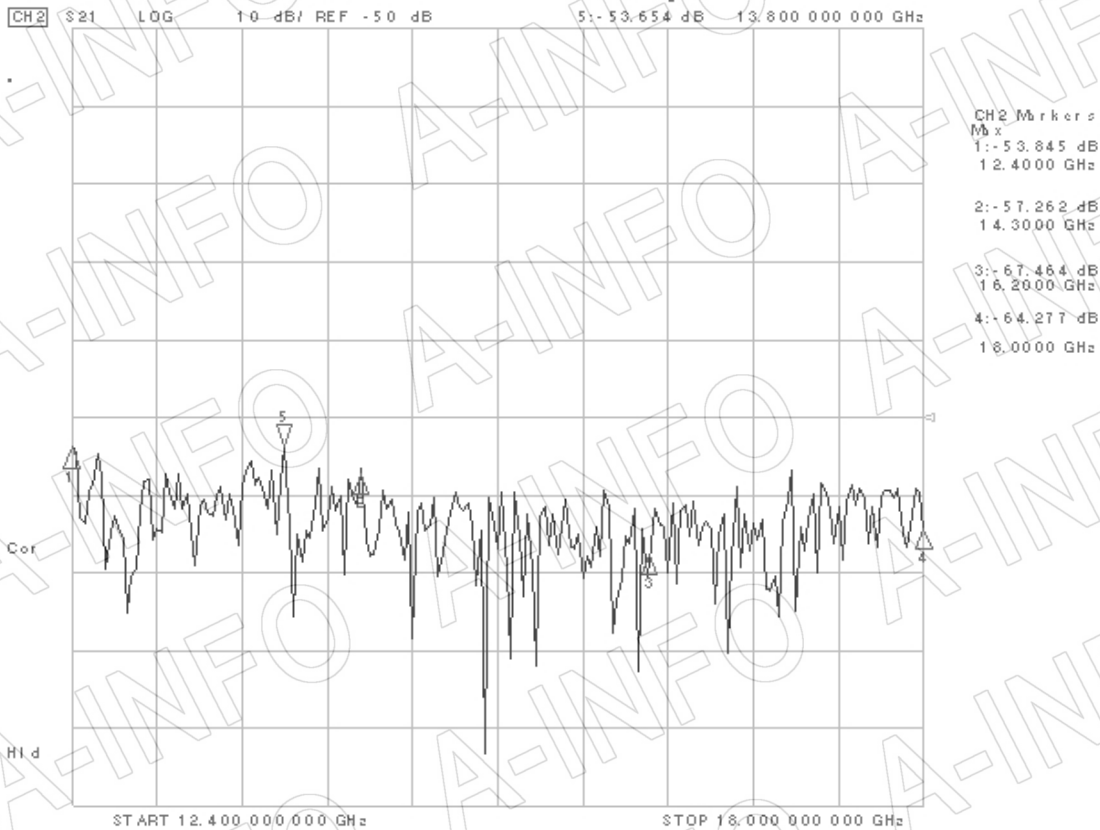
1. Gain & Antenna Factor



2. Cross Polarization Isolation

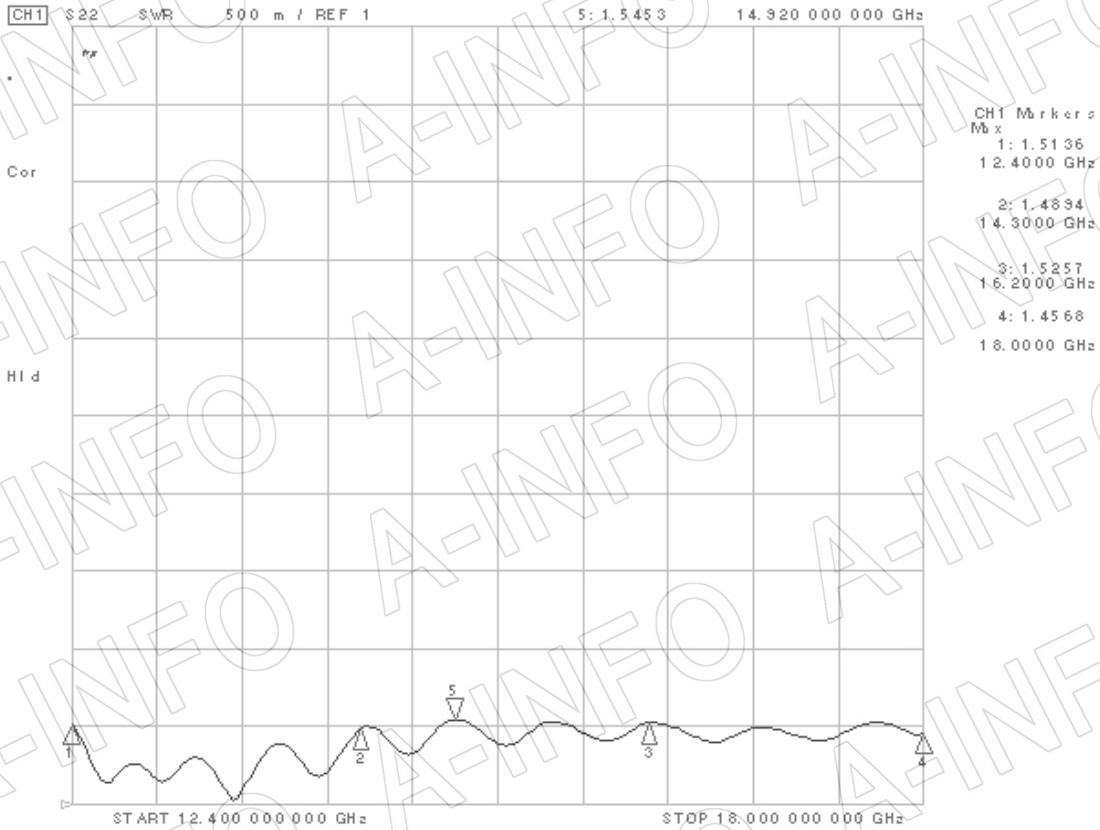


3. Port to Port Isolation

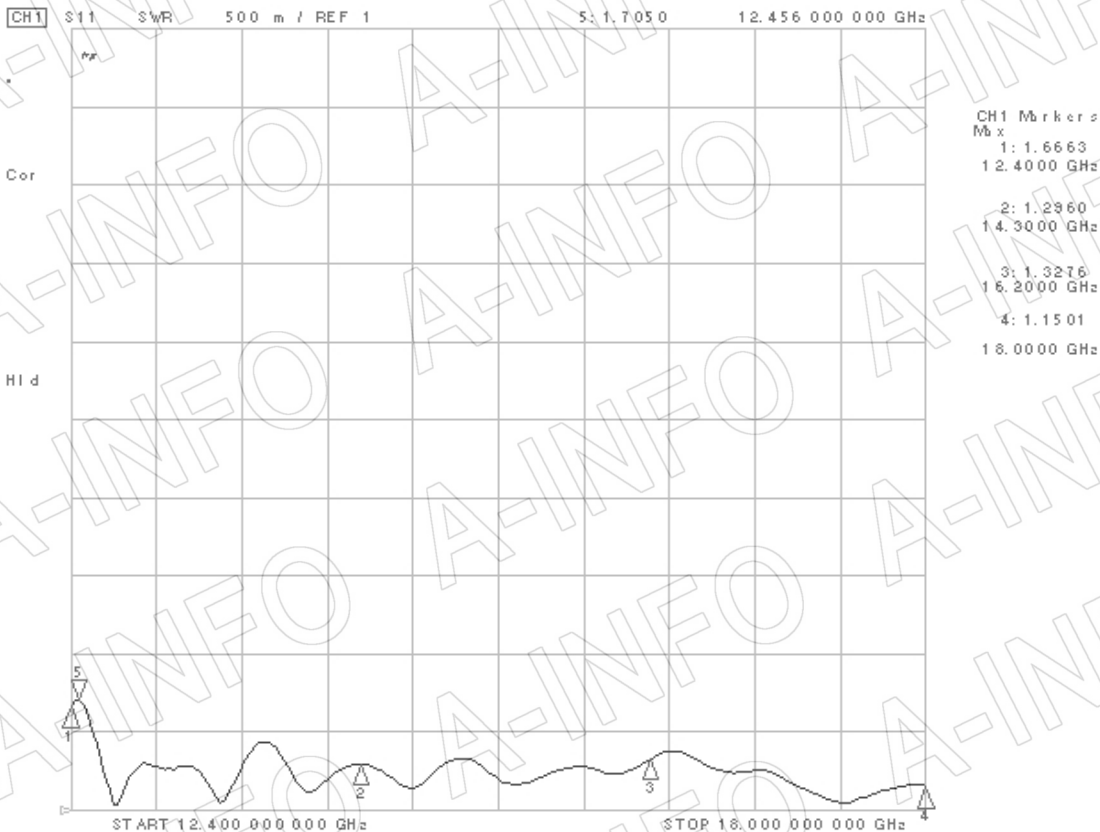


4. VSWR_A Type

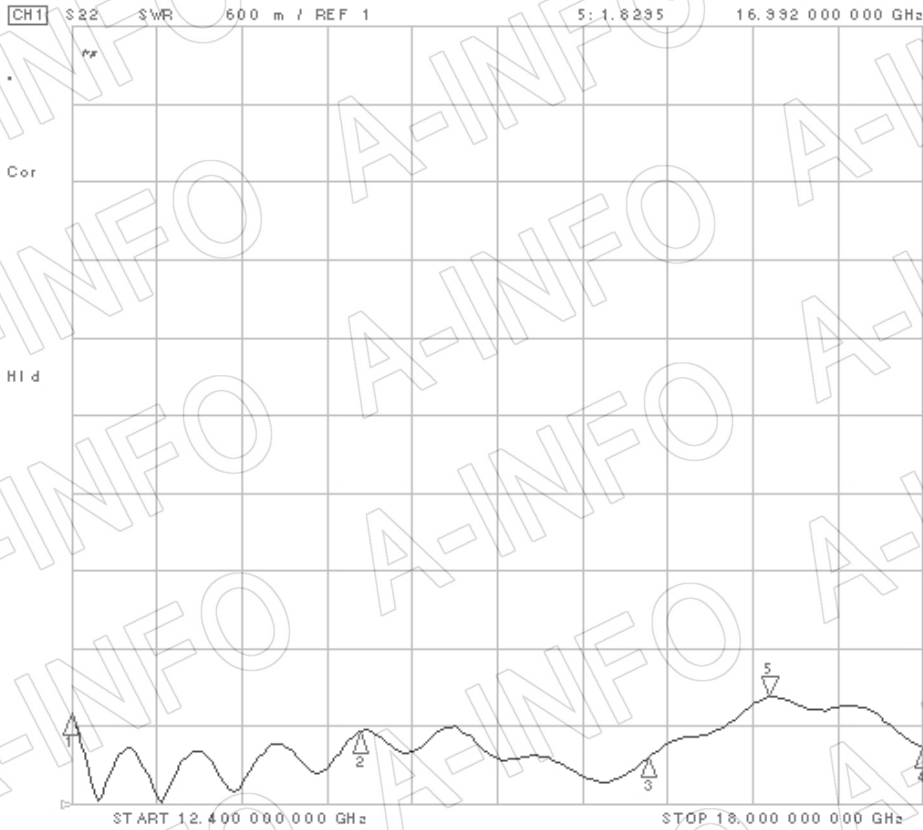
Port-H



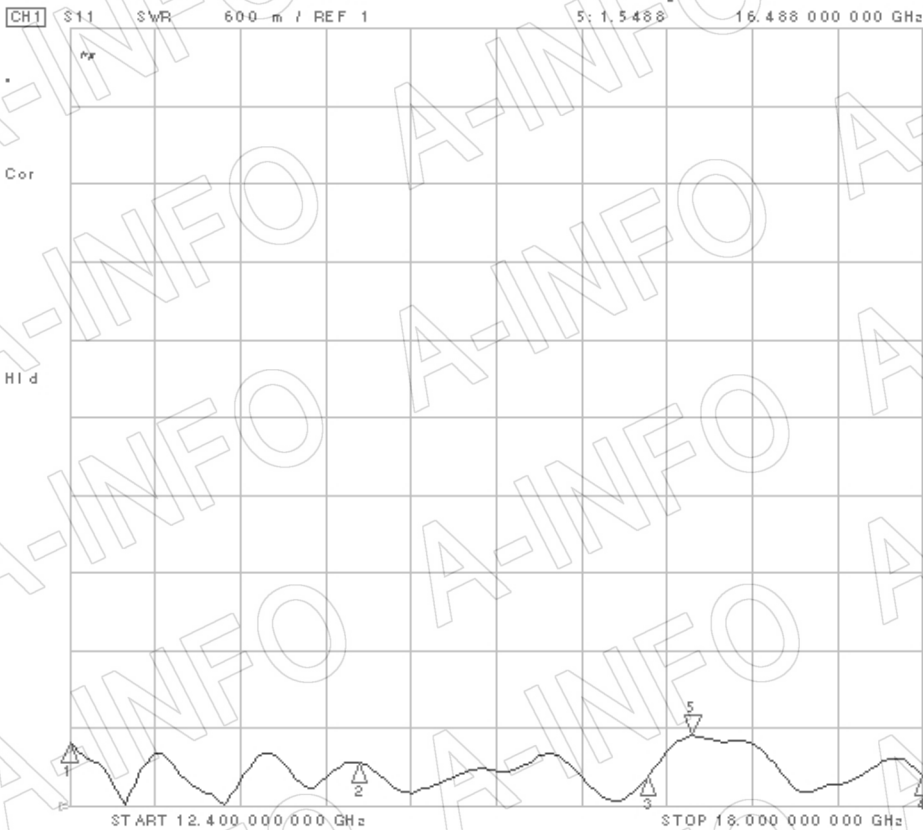
Port-V



VSWR_C Type Port-H



Port-V



5. Pattern

